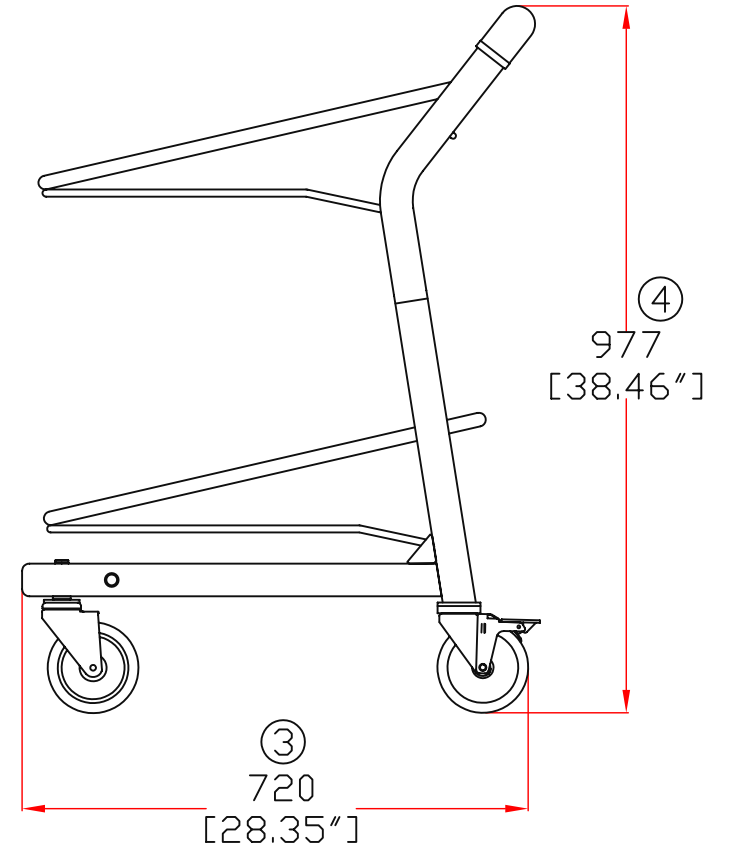
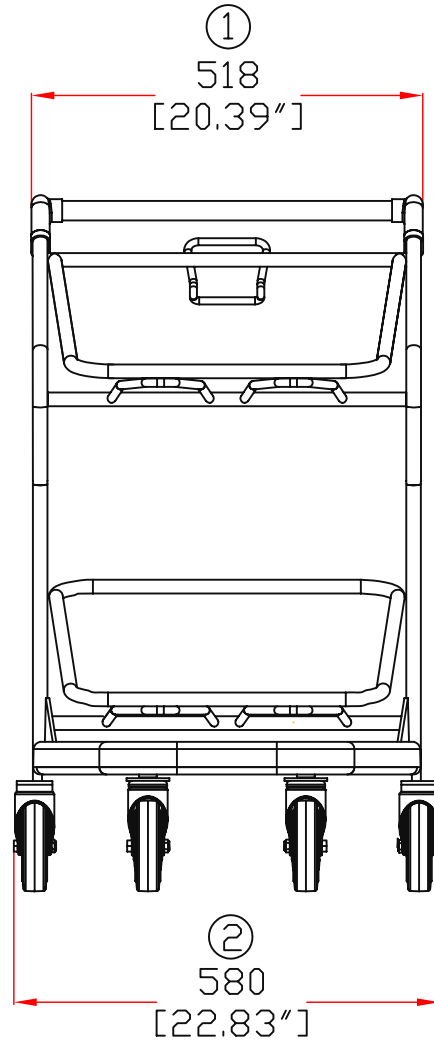
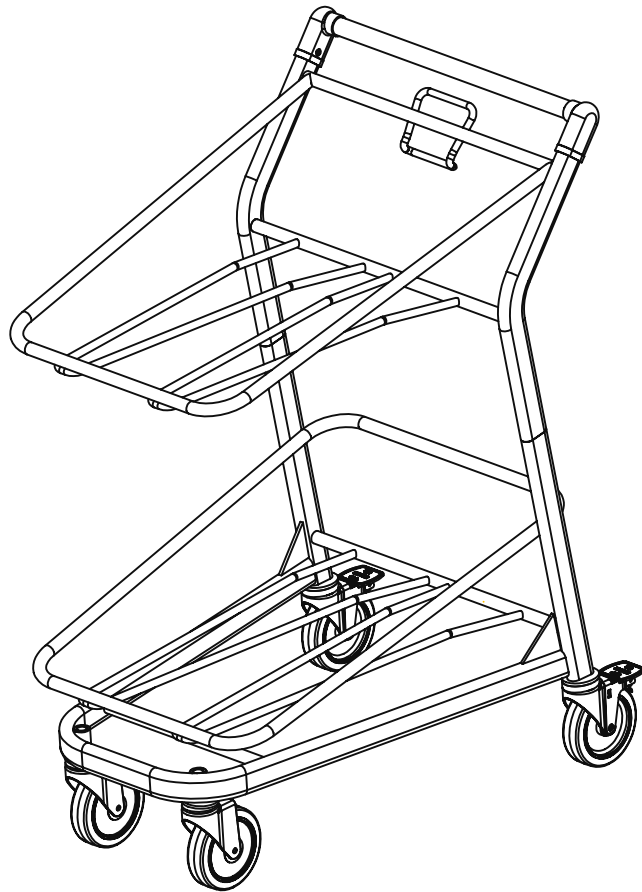


Eco tote #101-385

1	518[20.39"]
2	580[22.83"]
3	720[28.35"]
4	977[38.46"]



Eco tote #101-385

