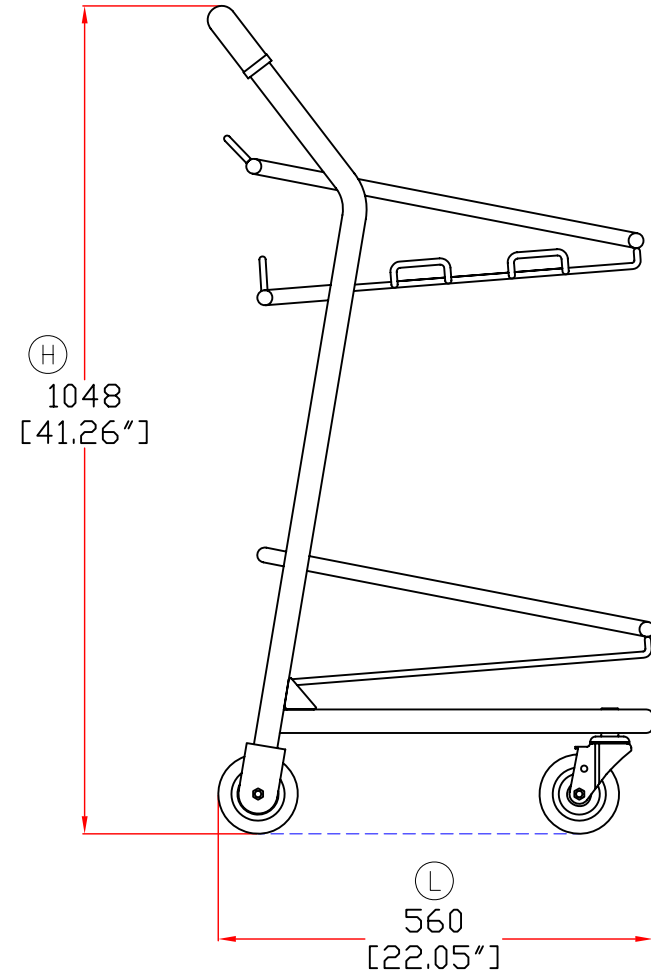
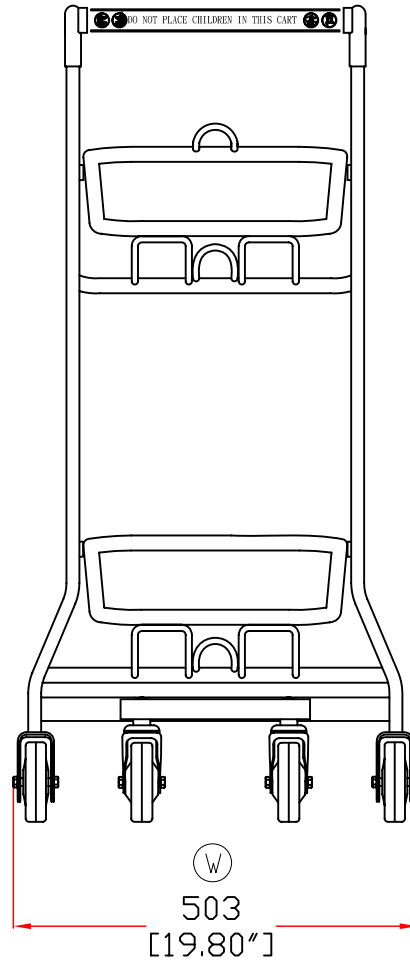
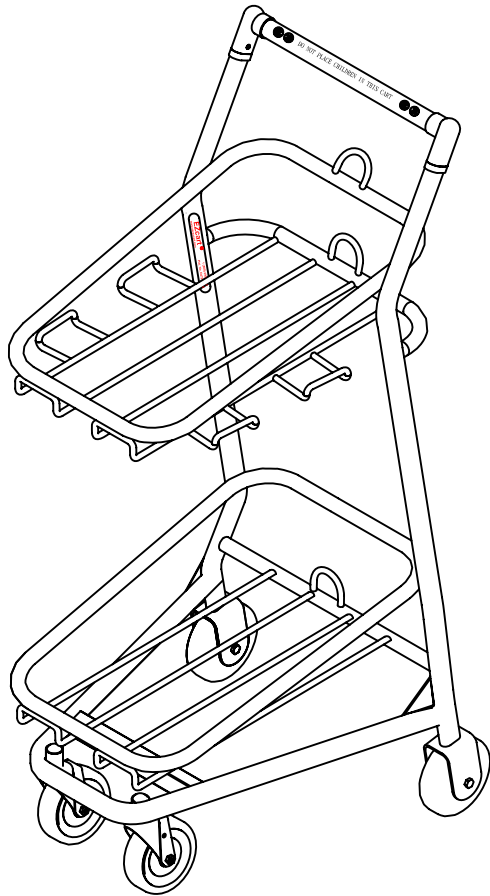




# EZcart #101-006

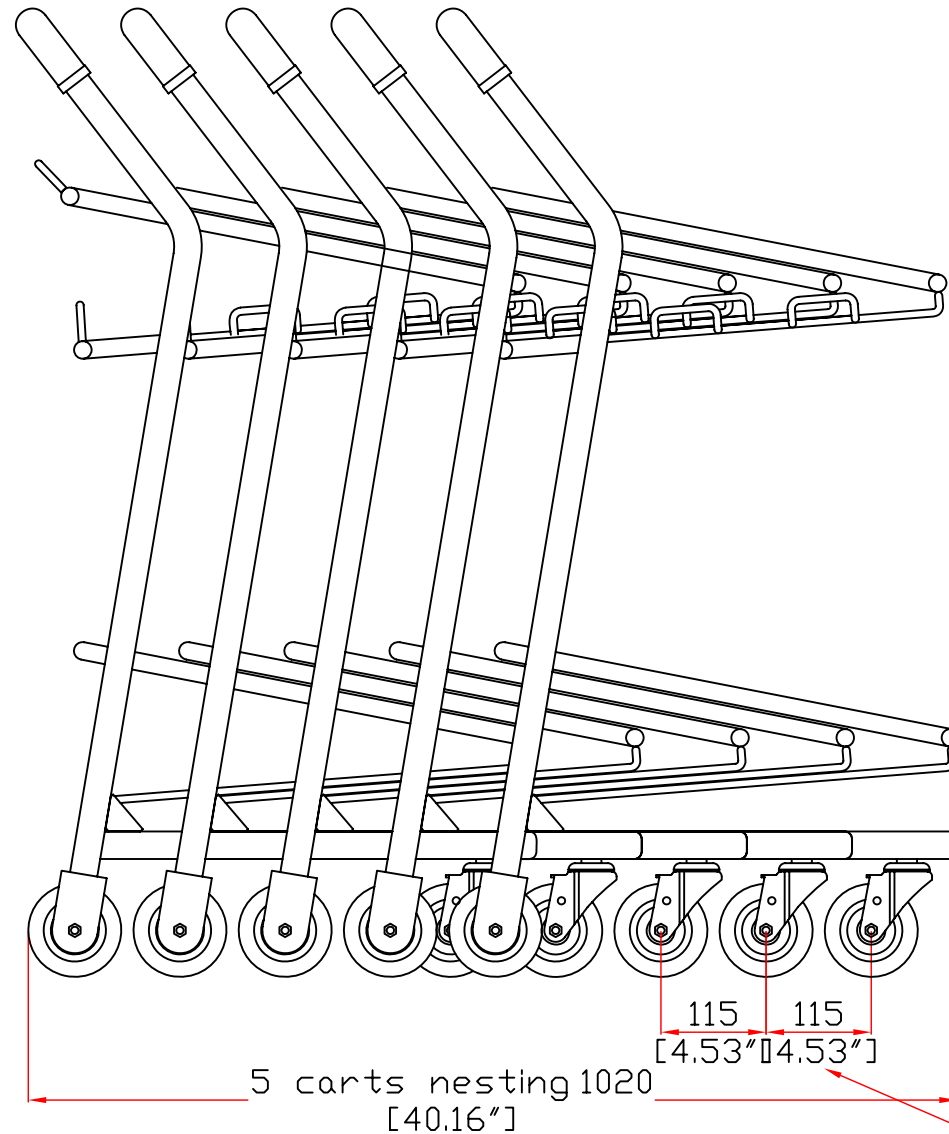
L	560[22.05"]
W	503[19.80"]
H	1048[41.26"]



13-JUN-2012



# EZcart #101-006



13-JUN-2012

property of AMSA, Inc. dba VersaCart Systems, Inc  
Copyright © VersaCart 2012; All rights reserved.