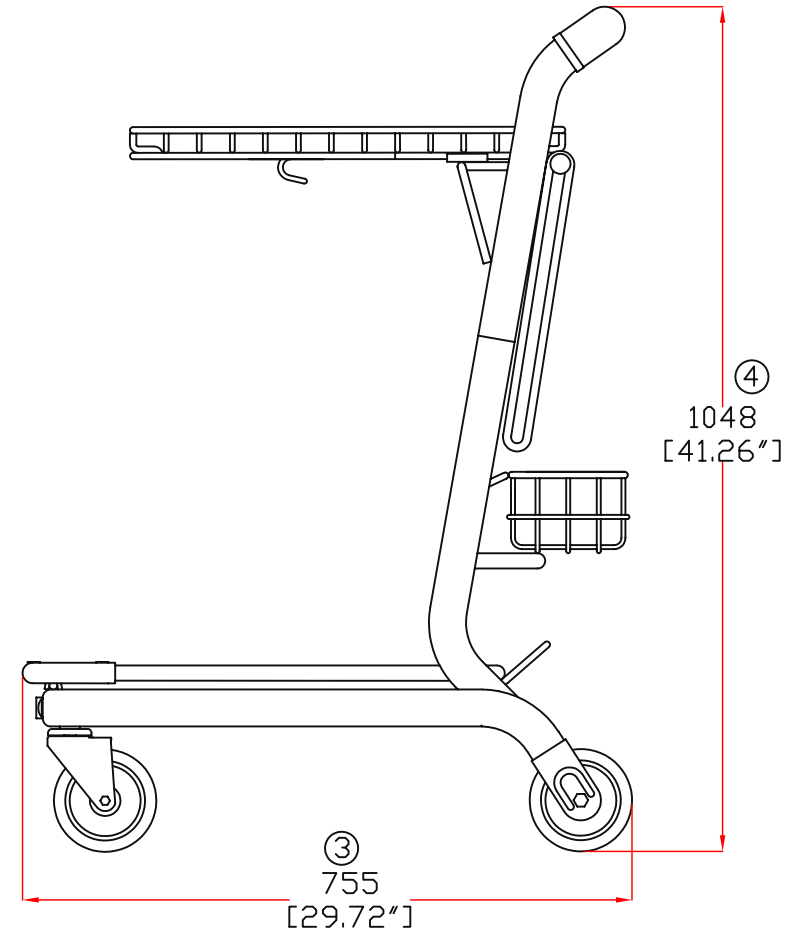
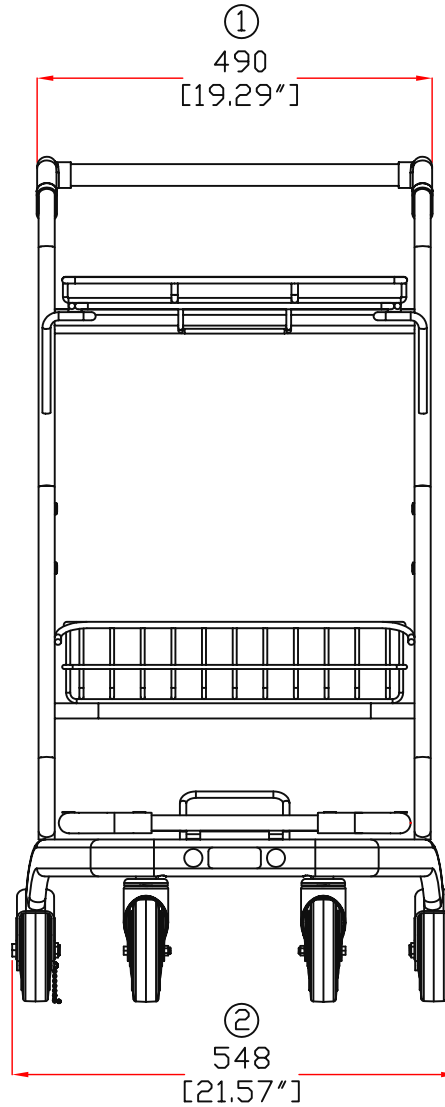
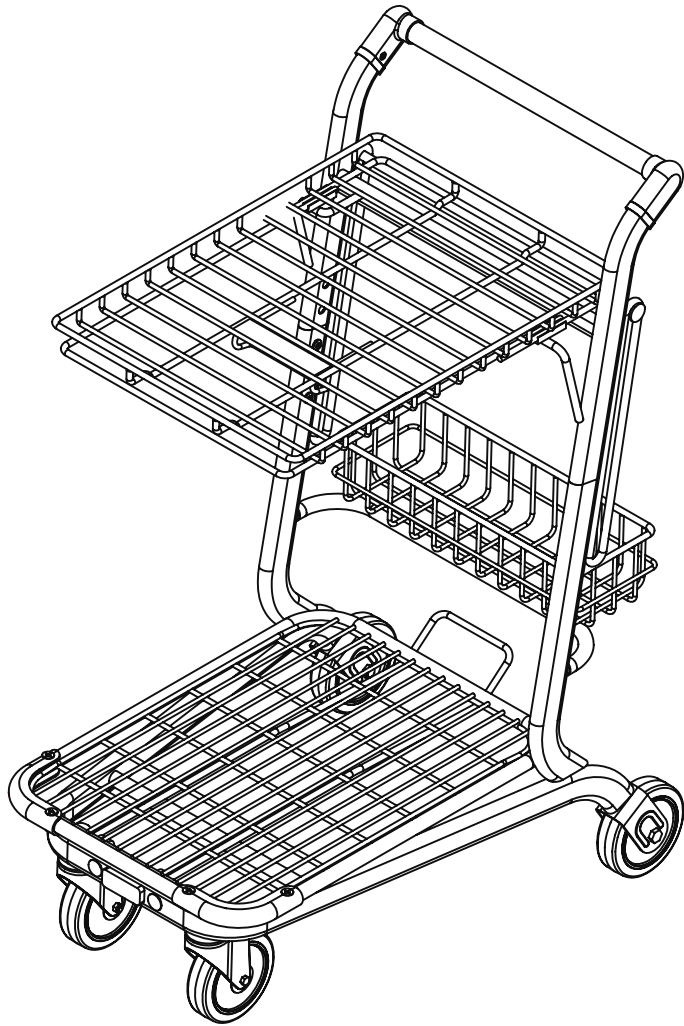


EXpress3555-B

1	490[19.29"]
2	548[21.57"]
3	755[29.72"]
4	1048[41.26"]



EXpress3555-B

