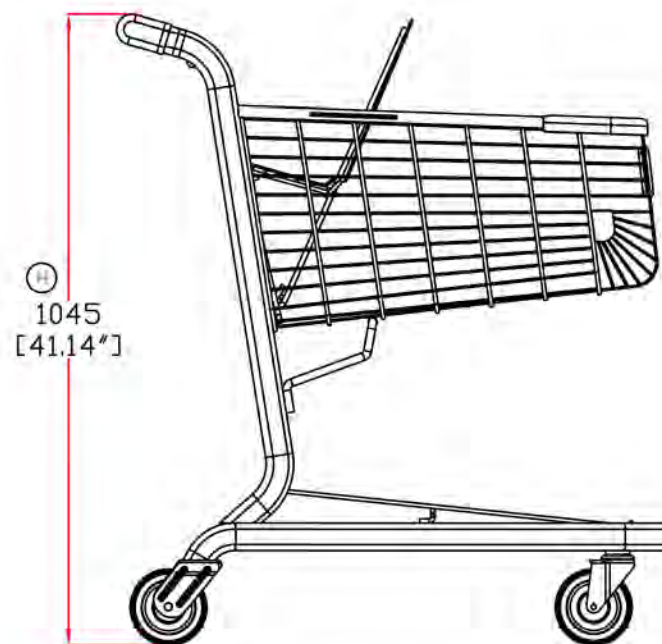
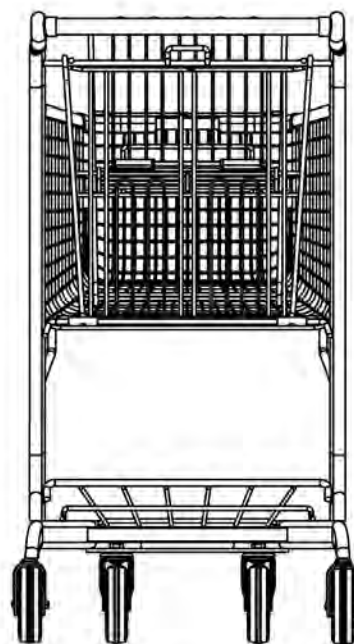
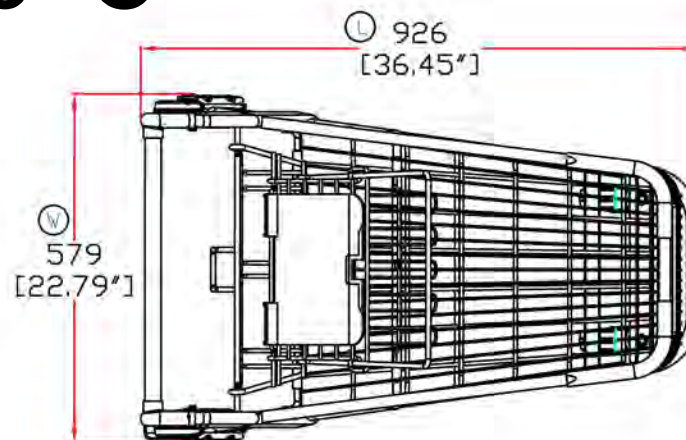


E-85-C

L	926[36.45"]
W	579[22.79"]
H	1045[41.14"]



09-NOV-2011